



For Professional use

Item No;BDD-13M **MADE IN JAPAN**



Cordless Drill driver



13mm(1/2") keyless chuck

Charging time : 25minutes

Battery : 12V 2000mAh

Gears are all made by steel cutting and tempered.Endurance is guaranteed

Weight;2.0kg



dia13mm(1/2")Keyless chuck

Fix driver bit/drill firmly, prevents from loosening and unproper tightening caused by vibration.

Gear Selection switch

High : 0--1300RPM

Low : 0--350RPM

Torque adjustment

24 stage torque adjustment quickly switches to Drill mode

Trigger switch

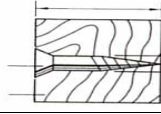
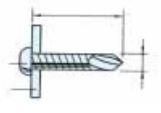
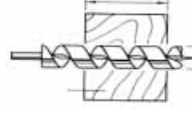
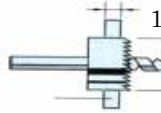
*Control the speed constantly.

*With brake function

*With feedback operation

Reverse button



Capacity Per Fully charged battery	Screw	Wood screw (dia4.1x25mm) About 400times	1.6mm		25mm dia4.1
		Tensile screw,steel (dia4x13mmthickness) 1.6mm about 195times			13mm dia4
	drill	Wood (dia15x20mm) about 230times			20mm dia15
		Hole saw;Steel (dia19x1.6mm) about 22times			1.6mm dia19



Drill driver Kit weight;6.6kg
 Size 460mm x 420mm x 120mm
 Content;Main body 1pce
 Battery charger 1pce US120V/Europe 230V
 Battery 2pce Driver bit 1pce



Battery Item No;BP-12V
 Battery name Nickel cadmium
 Weight 0.81kg Volt DC12V
 Capacity 2000mAh Charging time 25minutes



Battery charger Item number BP-14-120/230
 Input AC120V(US) 230V(Europe)
 Frequency 50/60Hz
 Charging time 25minutes
 Weight 1.21kg
 Size 225mm(Length x 80mm(Height) x 110mm(Width)



ARM ARM SANGYO CO., LTD.

1458-7 SASAOKA SANJO-SHI NIIGATA-KEN 955-0152 JAPAN
 PHONE +81-256-46-2278 FAX +81-256-46-4780

<http://www.armsangyo.co.jp> arminfo@armsangyo.co.jp